

Quick Tips for Installing Vinyl Siding

For best results, use certified vinyl siding and colors certified for color retention. The VSI *Vinyl Siding Installation Manual*, found at www.vinylsiding.org, provides more information about how to install vinyl siding and accessories; also please see the manufacturer's instructions.

VINYL SIDING INSTITUTE

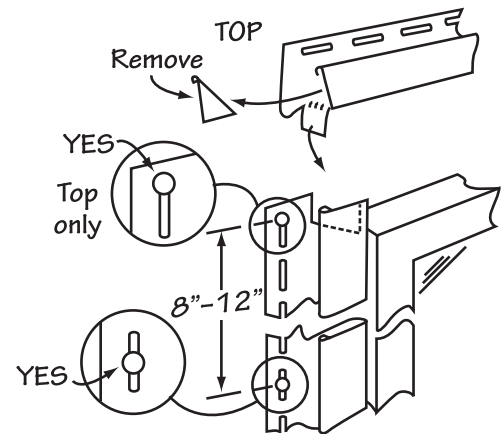
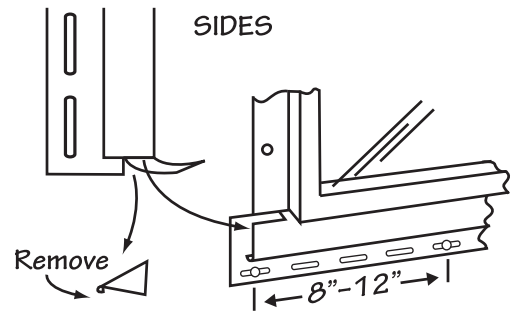
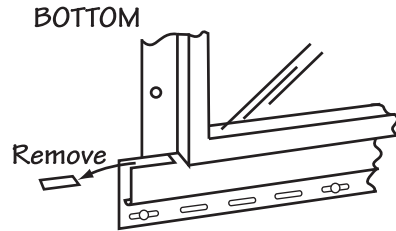
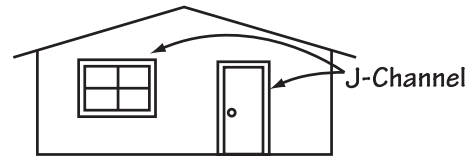


Copyright 2008, Vinyl Siding Institute, Inc.

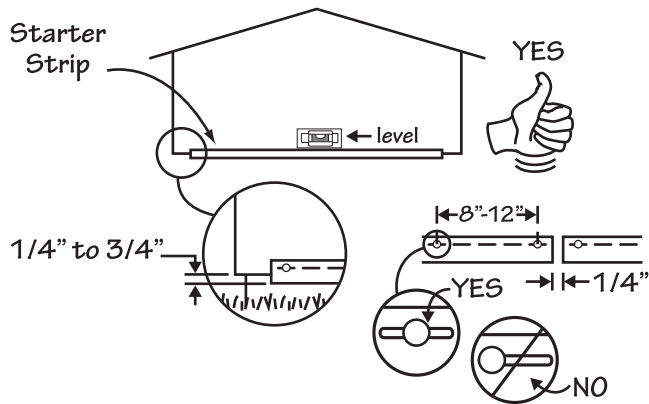


Visit www.vinylsiding.org for more information

Doors & Windows



Starter Strip



Tools

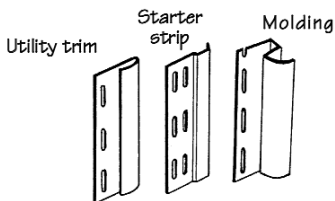
Utility knife



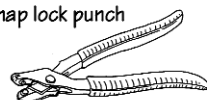
Tin snips



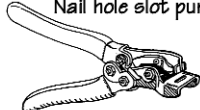
Safety goggles for cutting



Snap lock punch



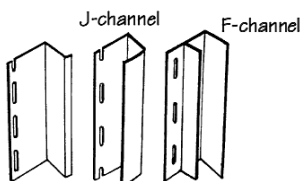
Nail hole slot punch



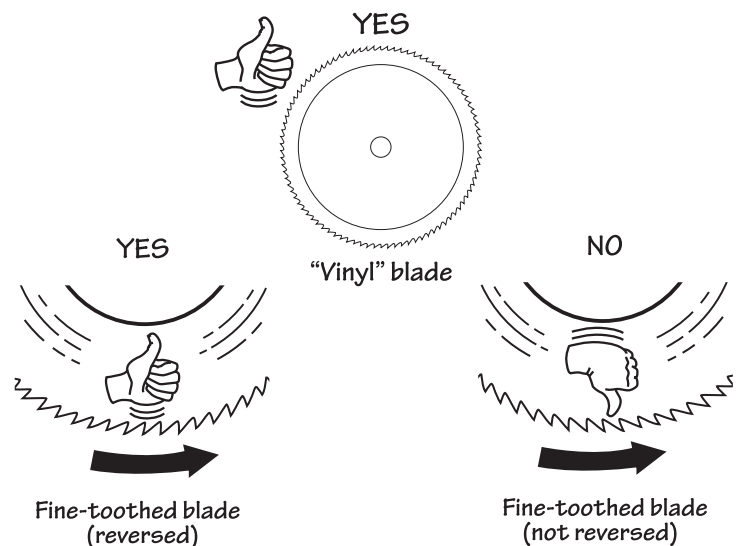
Unlocking tool



Drip cap/ flashing

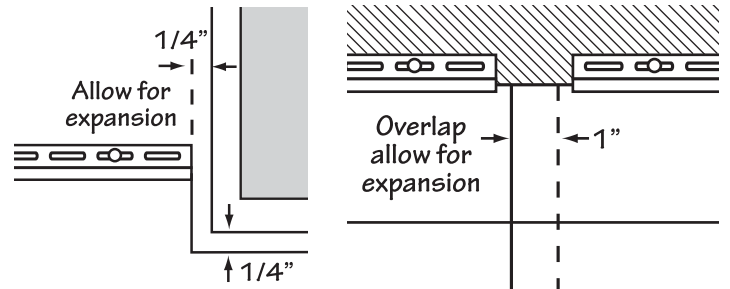
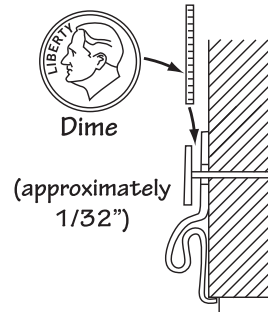
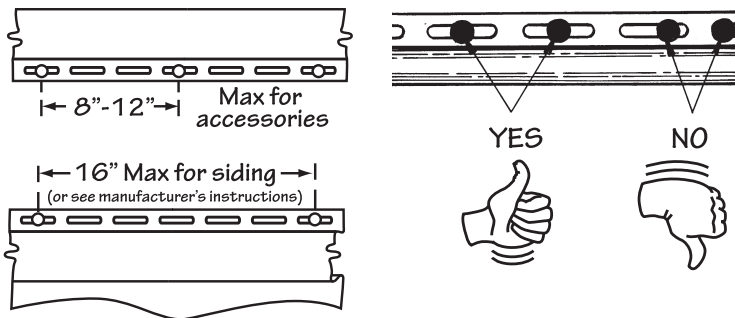
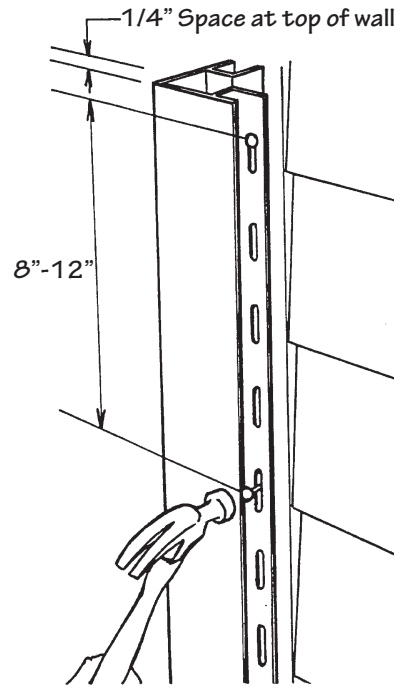
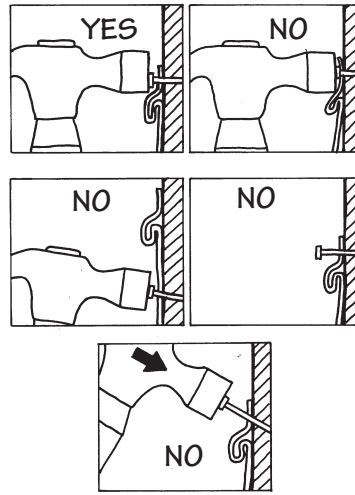


Cutting Vinyl Siding

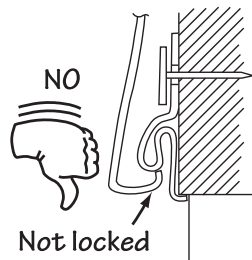
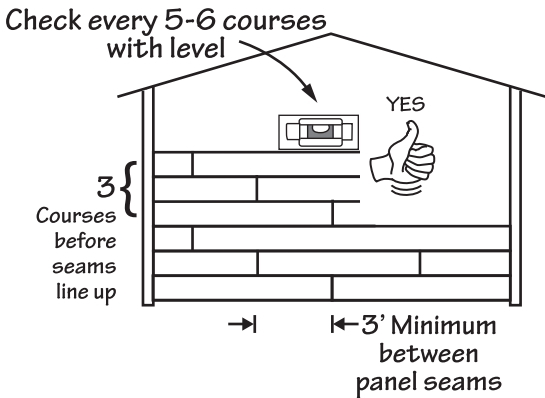


Installing Panels

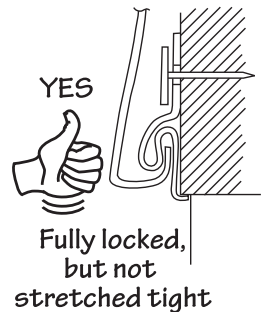
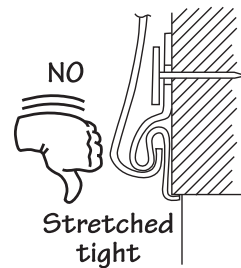
1. Fasten nails or other fasteners in the center of the nailing slot and make sure the fastener penetrates a minimum of 3/4" into a nailable surface.
2. Do not drive the nail tight against the siding nail hem.
3. Leave approximately 1/32" clearance (about the thickness of a dime) between the fastener head and the siding.
4. Make sure that the panels and accessories move freely side-to-side when fastened.
5. Leave 1/4" clearance inside all receiving channels at all openings and stops for expansion and contraction.
6. When panels overlap, make sure they overlap by 1" on the face of the panel.
7. Overlap panels away from entrances and away from the point of greatest traffic.
8. Do not face-nail through siding, except for the one nail needed to finish at top of a gable.



Panel Alignment



Locking Panels



Finishing: Alternate Application to J-channel & Utility Trim, or Dual Undersill

