

# Quick Tips for Installing Vinyl Siding

For best results, use certified vinyl siding and colors certified for color retention.

The VSI *Vinyl Siding Installation Manual*, found at [www.vinylsiding.org](http://www.vinylsiding.org), provides more information about how to install vinyl siding and accessories; also please see the manufacturer's instructions.

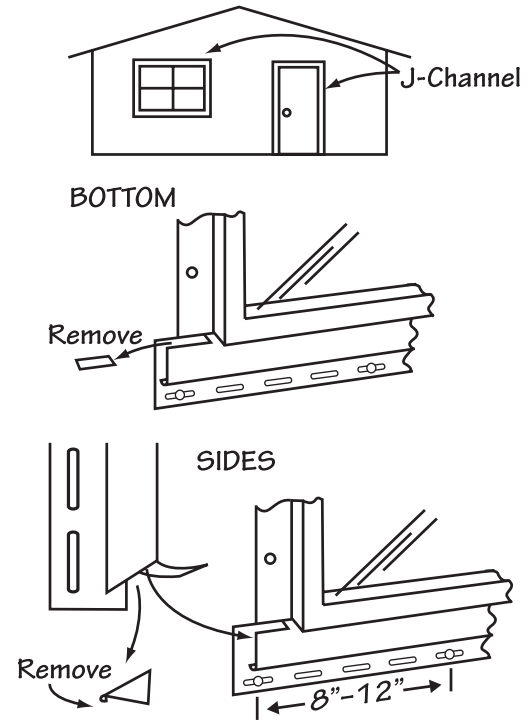


Copyright 2014, Vinyl Siding Institute, Inc.

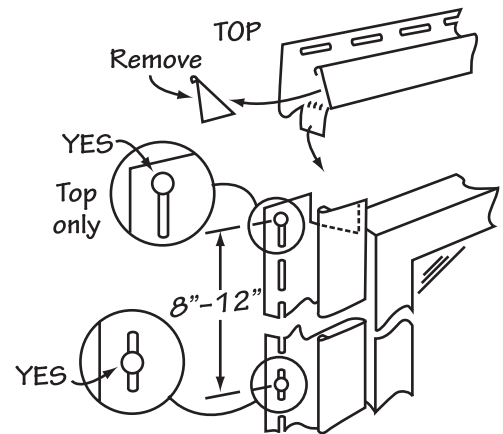
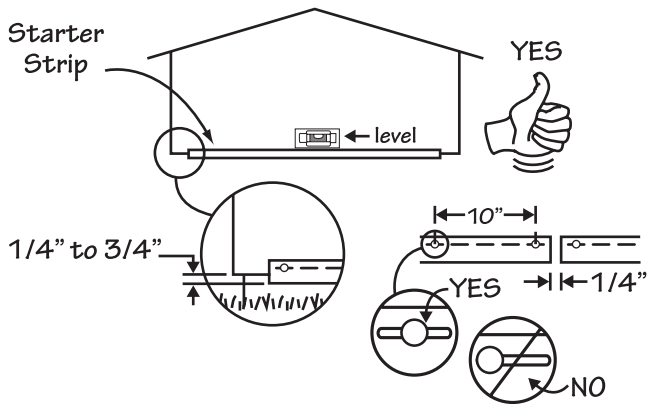


Visit [www.vinylsiding.org](http://www.vinylsiding.org) for more information

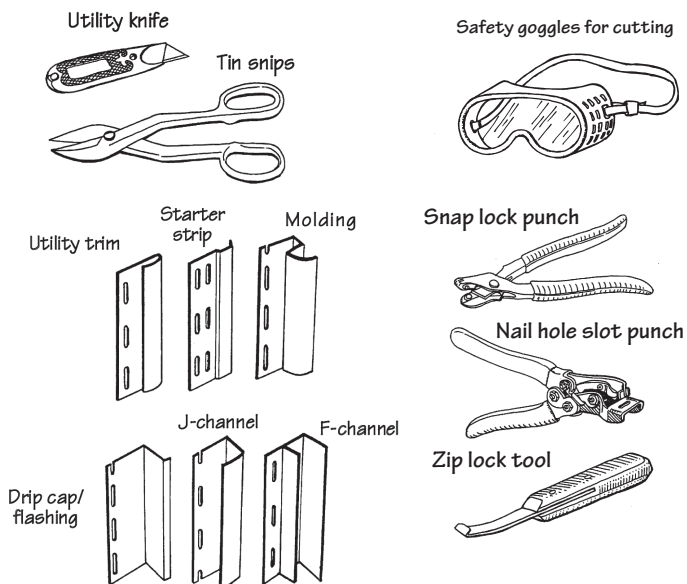
## Doors & Windows



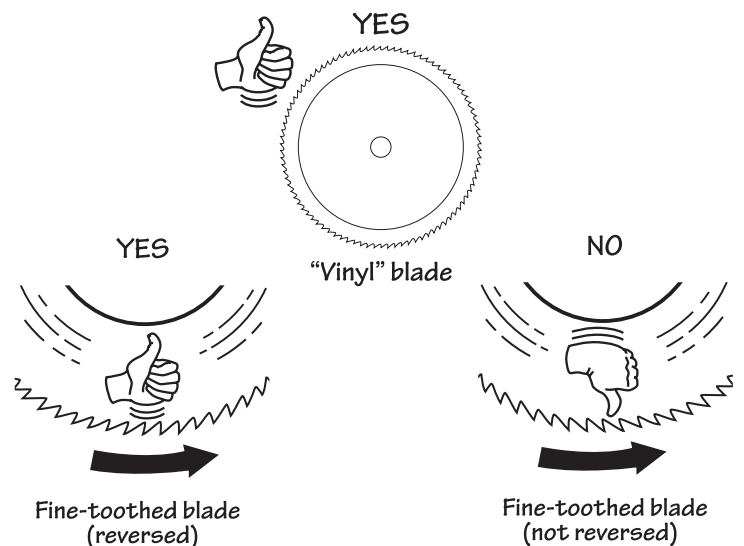
## Starter Strip



## Tools



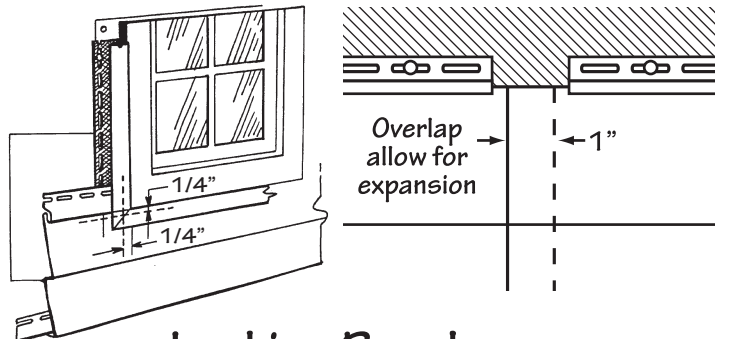
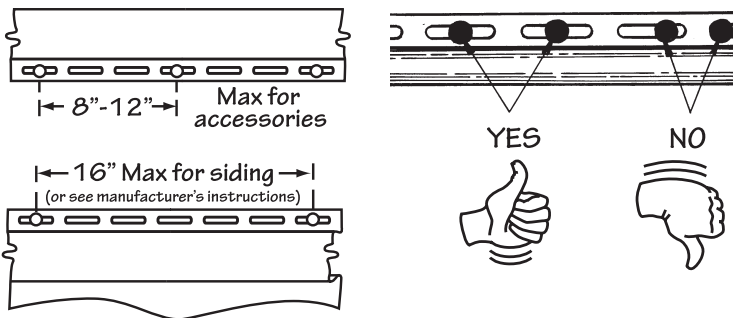
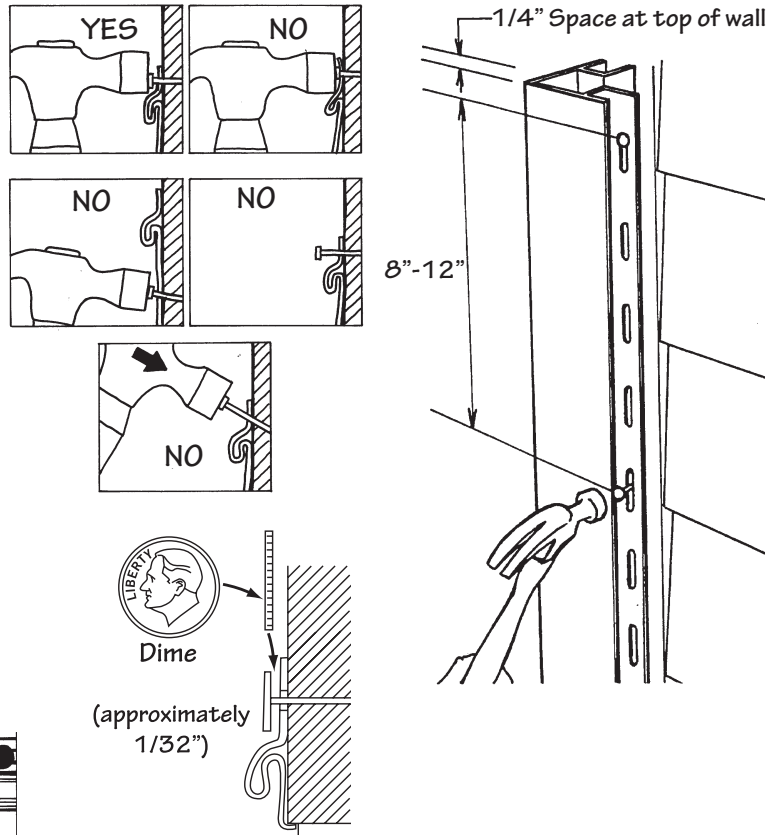
## Cutting Vinyl Siding



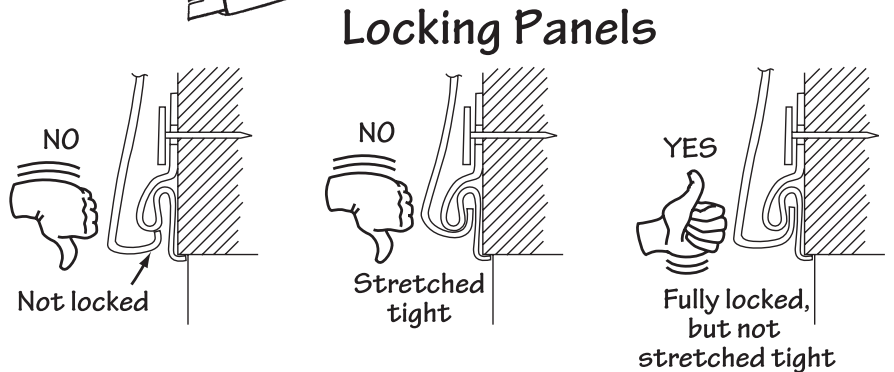
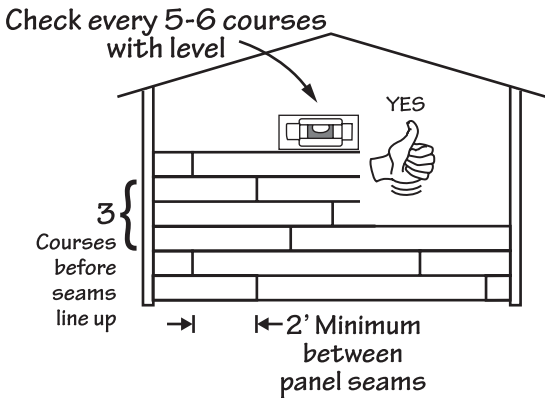
# Installing Panels

1. Fasten nails or other fasteners in the center of the nailing slot and make sure the fastener penetrates a minimum of 1 1/4" into a nailable surface.
2. Do not drive the nail tight against the nail hem.
3. Leave approximately 1/32" clearance (about the thickness of a dime) between the fastener head and the nail hem.
4. Make sure that the panels and accessories move freely side-to-side when fastened.
5. Leave 1/4" clearance inside all receiving channels at all openings and stops for expansion and contraction.
6. When panels overlap, make sure they overlap by 1" on the face of the panel.
7. Overlap panels away from entrances and away from the point of greatest traffic.
8. Do not face-nail through siding, except for the one nail needed to finish at top of a gable.

# Nailing



# Panel Alignment



# Locking Panels

# Finishing: Alternate Application to J-channel & Utility Trim, or Dual Undersill

